

Liberty Pumps®

GR-Series

Guide Rail System

Features:

- 2" or 3" discharge FNPT
- Heavy cast iron construction
- Rugged one rail design with auto-guide feature
 - 1-1/4" guide pipe FNPT (guide rail pipe not included)
- Heavy duty nitrile sealing grommet
 - Upper cast iron rail support bracket provided
- Powder coated for corrosion resistance



Models available fit:

FL, LE, LEH and X-Series Pumps



"NS" non-sparking models feature a bronze claw for installation in hazardous locations and fitment with X-Series pumps.

innovate. evolve.

GR-Series Guide Rails

Specifications and Dimensional Data

Material: Class 25 Gray Cast Iron (Bronze claw on "NS" models)

Weight: GR22 – 38 lbs. GR30 – 46 lbs.

Seal: Heavy Duty Nitrile

Rail Size: 1 1/4" (Not Included)

Discharge: GR22 – 2" Female NPT, GR30 – 3" Female NPT

Maximum Pump Weight: 250 lbs.

Upper Rail Support: Class 25 Gray Cast Iron

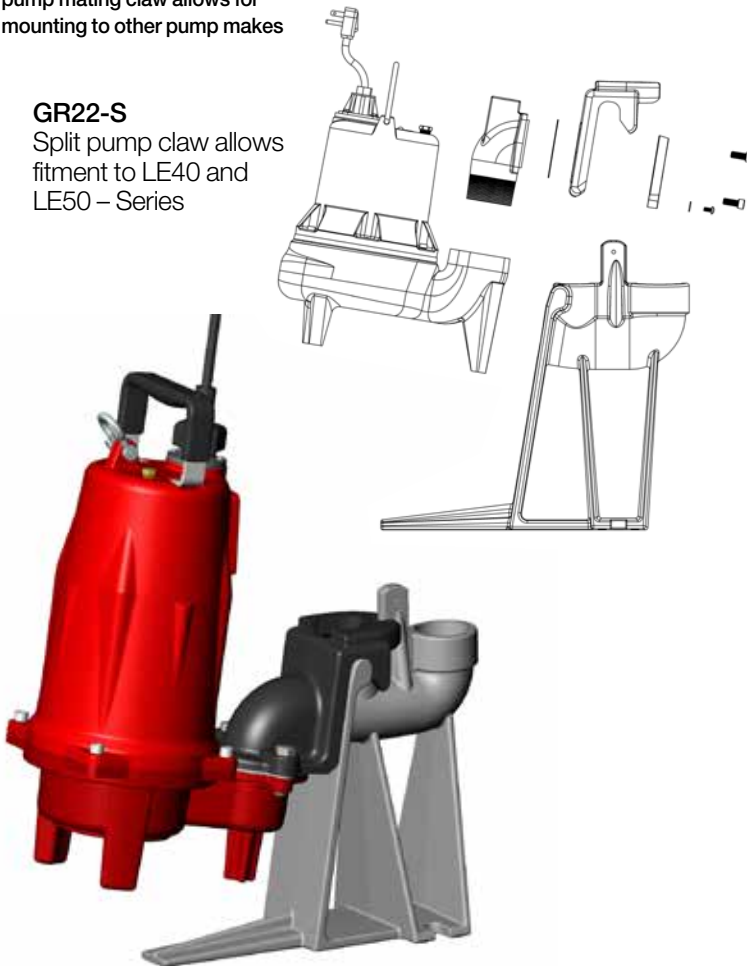
Rail Support Bolts: Stainless Steel

MODELS:	DISCHARGE	SERIES
*GR22-FL	2"	FL50, FL60, FL70, FL100, FL150, FL200
*GR22NS-FL	2"	XFL50, XFL70
*GR22-LE	2"	LE70, LE100, LEH100, LEH150, LEH200
*GR22NS-LE	2"	XLE50, XLE70
GR22-S	2"	LE40, LE50
GR30	3"	LE70, LE100, LEH100, LEH150, LEH200
GR30NS	3"	XLE50, XLE70

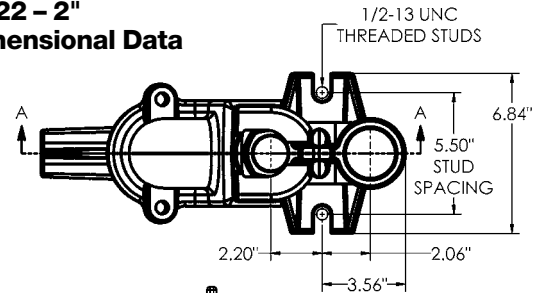
*2" internal female thread on pump mating claw allows for mounting to other pump makes

GR22-S

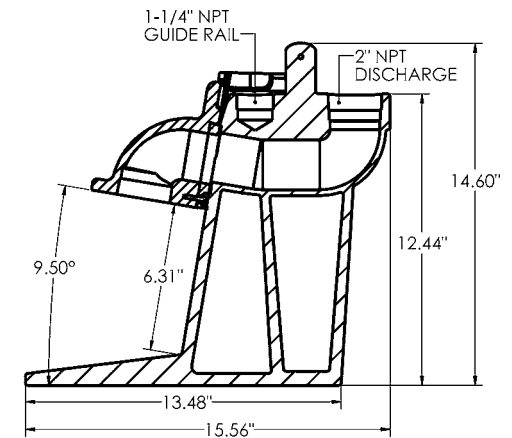
Split pump claw allows fitment to LE40 and LE50 – Series



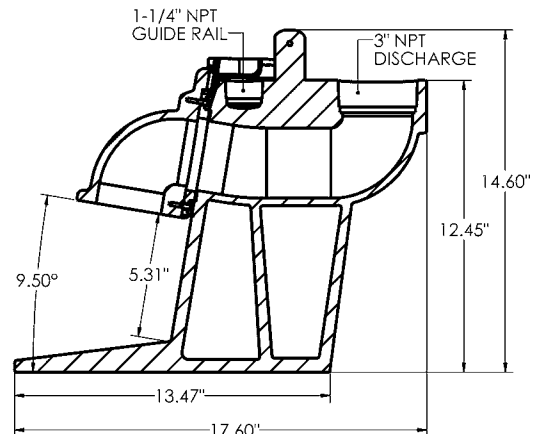
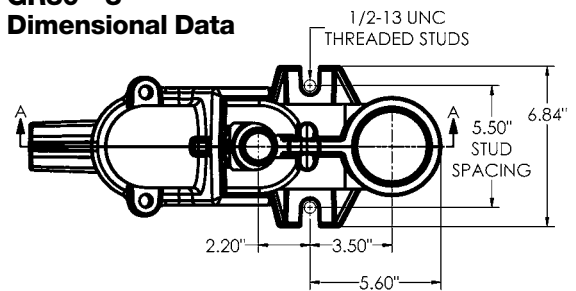
GR22 – 2" Dimensional Data



UPPER RAIL SUPPORT BRACKET
ALL MODELS



GR30 – 3" Dimensional Data



Specifications are subject to change without notice.